

## Avantis 2 Series Handle Sets

### Contemporary design handles for multi-point door locks

Offering a subtle contemporary design the 2 Series handle is available in a range of materials and finishes to match both aesthetic and performance needs as well as coping with a wide range of environmental conditions. The 2 Series handle set incorporates 2 robust spring cassettes to ensure that the lever returns to its resting position after use and provides a positive feel to the operation of the door.

Available in White, Black, Polished Chrome, PVD Gold, Smokey Chrome and brushed Stainless Steel over the range of zinc, stainless steel and hybrid materials.

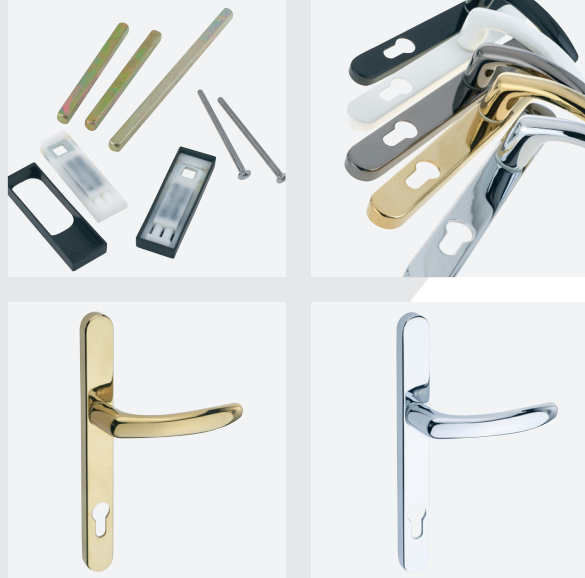
### Features

- ✓ Simple contemporary non-handed design
- ✓ Available in zinc alloy, stainless steel and hybrid material configurations
- ✓ Suitable for a wide range of door thicknesses
- ✓ Supplied with all fixings and spring cassettes
- ✓ 10 year mechanical guarantee

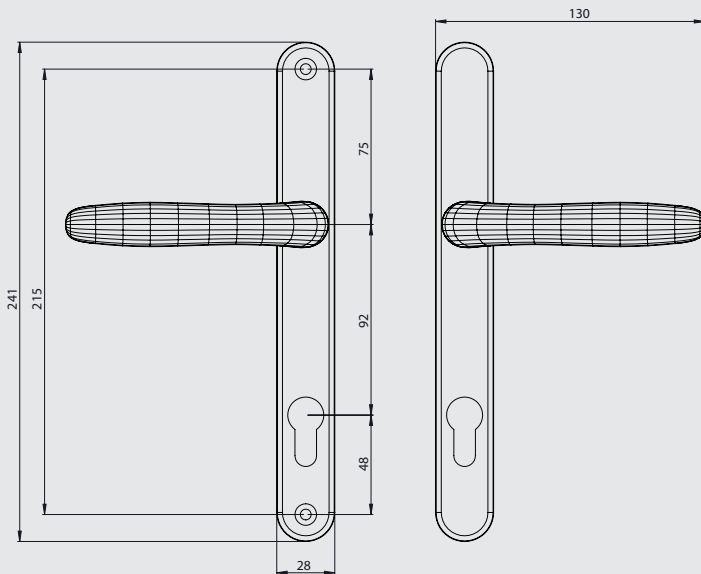


## Technical specifications

- ✓ PZ92mm handle sets
- ✓ 211mm hole fixing positions
- ✓ 240mm x 28mm x 12mm back plate
- ✓ Corrosion resistance to EN1670: Grade 5 (480 hours NSS) for powder coated handles
- ✓ In excess of 1000 hours NSS on stainless steel variants
- ✓ Service life of 50,000 cycles



Material	Colours
Zinc Alloy	White, Black, Polished Chrome, PVD Gold, Smokey Chrome
Hybrid Zinc/Stainless Steel	Polished Chrome, PVD Gold, Smokey Chrome
Stainless Steel	Polished Chrome, PVD Gold, Smokey Chrome, Brushed Stainless Steel



**Avantis Hardware Ltd**  
Grange Works, Mill Lane  
Rugeley  
Staffordshire WS15 2JW  
Tel: +44 1889 579364 Fax: +44 03300 100 502  
Website: [www.avantis-international.com](http://www.avantis-international.com)  
Email: [sales@avantis-international.com](mailto:sales@avantis-international.com)

Avantis Hardware